

Release No. 370

March 1, 1944

sponsored by

General Electric Co.

RMA  
TYPES 1P26 AND 1P27

Gas filled, two electrode phototubes with high sensitivity in the red and infra-red.

GENERAL CHARACTERISTICS

Electrical

	1P27	1P26	
Spectral Response	S-1	S-1	
Luminous Sensitivity at 90 V, 0 cycles	150	90	Microamp per Lumen
Maximum Gas Amplification	10.5	8.0	
Interelectrode Capacitances	3.0	3.0	uuf
Maximum Dark Current at 90 Volts	0.1	0.1	Microamp
Wavelength of Maximum Response	8000	7500	A
Sensitivity at Maximum Response	.0145	.0105	Microamp per Microwatt

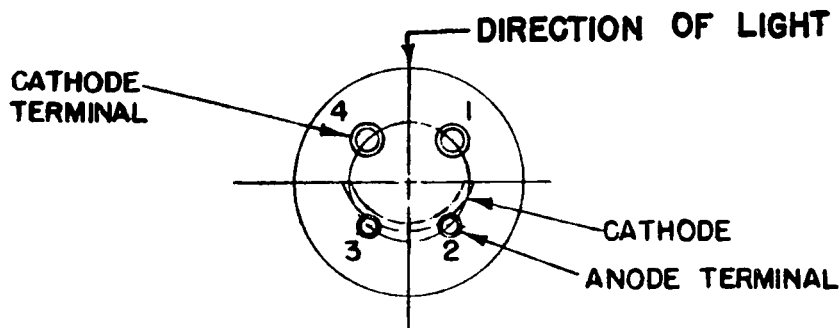
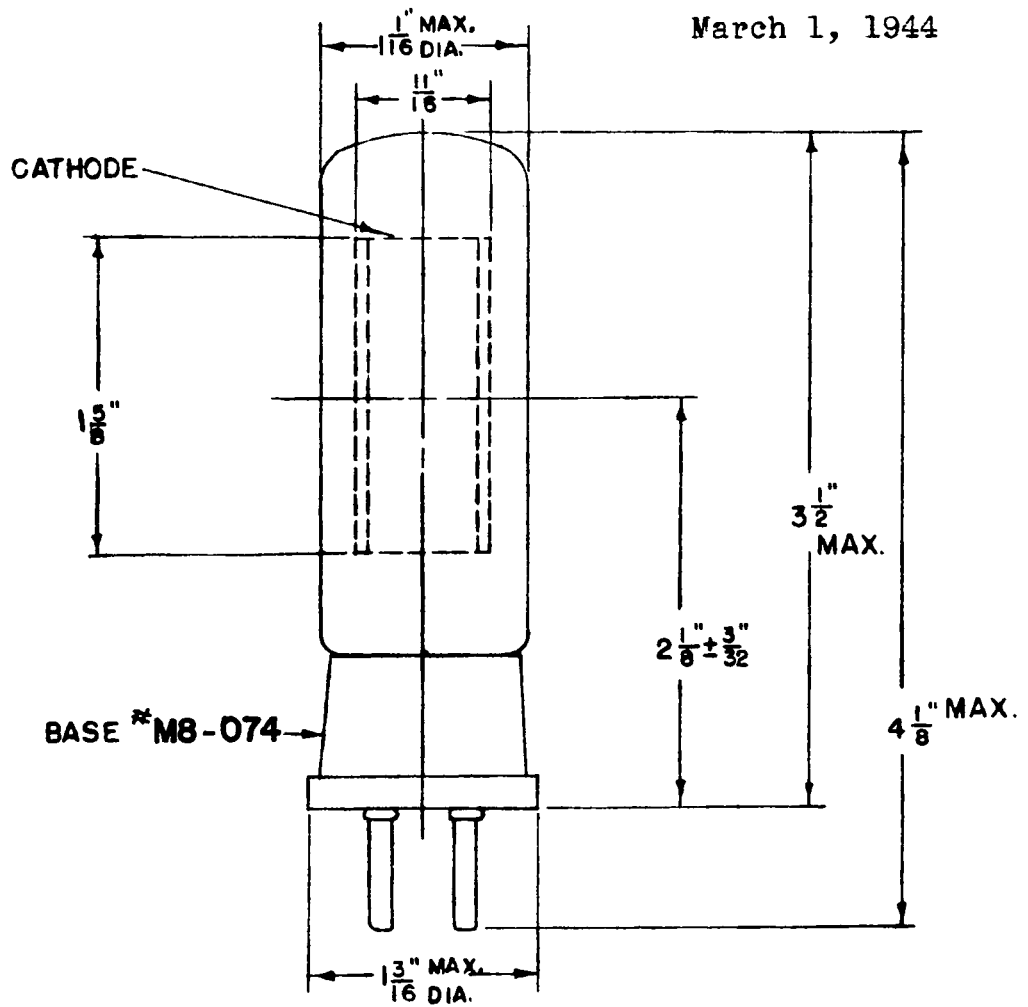
Mechanical

Window Dimensions	11/16 Inches x 1-5/8 Inches	
Seated Height to Center of Useful Cathode Area	2-1/8	+3/32 Inches
Maximum Overall Height	4-1/8 Inches	
Maximum Seated Height	3-1/2 Inches	
Maximum Diameter	1-3/16 Inches	
Base	M8-074	
Mounting Position	Any	
Net Weight, Approximately	1/2	Ounce

MAXIMUM RATINGS

Anode Voltage, D-c of Peak A-c	100	Volts
Cathode Current Density	102	Microamps per Sq. In.
Ambient Temperature	100°	C

March 1, 1944



BOTTOM VIEW OF BASE

OUTLINE  
PHOTOTUBE  
IP26/PJ-23 & IP27